



Summit II AC Cordset Requirements

⚠ DANGER: NEVER ALTER THE AC POWER CORDSET OR PLUG PROVIDED. IF IT WILL NOT FIT AN OUTLET, OBTAIN THE CORRECT CHARGER IEC AC POWER CORDSET FOR THE OUTLET, OR HAVE A PROPER OUTLET INSTALLED BY A QUALIFIED ELECTRICIAN. IMPROPER CONNECTION CAN RESULT IN A RISK OF ELECTRIC SHOCK.

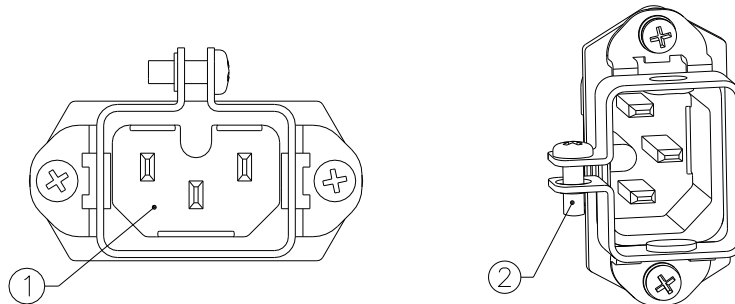
⚠ DANGER: RISK OF ELECTRIC SHOCK! CONNECT THE AC SUPPLY CORD DIRECTLY TO A GROUNDED, 3-WIRE OUTLET. REPLACE DEFECTIVE CORDS, WIRES, OR CONNECTORS IMMEDIATELY.

⚠ CAUTION: TO REDUCE THE RISK OF ELECTRIC SHOCK OR FIRE, DISCONNECT AC POWER FROM THE CHARGER BEFORE INSTALLING OR REMOVING UNIT.

The Summit II battery charger is available in three output power sizes: 650 watt, 1050 watt, or 1425 watt. Each charger has an AC input rating of 100-240 volts, 50/60 Hz, single phase. If voltage drops below 108 volts, the charger may reduce output power.

The charger must be grounded to reduce the risk of electric shock and is equipped with an IEC 60320 C16 inlet (1) having an equipment-grounding conductor. The connection interface also utilizes a strain relief clamp with screw (2) that can be tightened to secure the AC connector to the inlet. The use of a universal IEC inlet on the chargers allows them to be used internationally through selection of an AC power cordset with the C15 connector and appropriate AC mains plug compatible with local electrical codes.

Figure 1:



The AC power cordset conductors must equal or exceed a minimum size for safe operation as shown in the Table 1 below:

Table 1

Charger Output Power, W	Input Voltage, VAC	American Wire Gauge (AWG)	Cross Section Area (mm ²)
650	100-120	18	1.0
1050	100-120	16	1.5
1425	100-120	14	2.0
650	200-240	18	1.0
1050	200-240	18	1.0
1425	200-240	18	1.0

The installed AC power cordset must be plugged into a live power outlet that is properly installed and grounded in accordance with all applicable electrical codes and ordinances.

⚠ CAUTION: VERIFY THAT THE AC POWER CORDSET C15 CONNECTOR IS FULLY ENGAGED IN THE CHARGER C16 INLET AND CANNOT BE PULLED LOOSE BEFORE USING CHARGER.

The following AC cordsets have been tested and verified for performance:

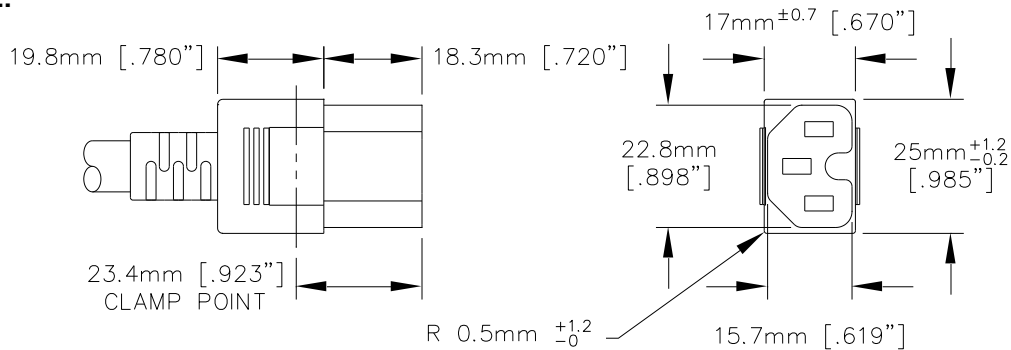
Table 2: RECOMMENDED AC CORDSETS FOR SUMMIT II BATTERY CHARGERS

Country / Area	Inlet Plug Style	Inlet Voltage Vac	Cord Wire Size	Source	Part Number
North America	NEMA 5-15P	120	18 AWG	Lester Electrical	39739S
North America	NEMA 5-15P	120	16 AWG	Lester Electrical	39738S
North America	NEMA 5-15P	120	14 AWG	Lester Electrical	41589S
Europe (straight)	CEE 7/7	230	1.0 mm ²	RS Electronics	909-2171
Europe (right angle)	CEE 7/7	230	1.0 mm ²	RS Electronics	909-2174
United Kingdom	BS 1363	230	1.0 mm ²	RS Electronics	744-0941
Australia / NZ (straight)	AS/NZS 3112	230	1.0 mm ²	RS Electronics	909-2178
Japan	JIS C 8303	100	2.0 mm ²	RS Electronics	909-2180

The end user may also source an alternative cordset, locally. The AC power cordset's IEC 6320 C15 connector must properly fit the Summit II charger's C16 inlet and strain relief clamp by meeting the dimensions as shown below:

⚠ CAUTION: IF THE AC CORSET'S IEC 60320 CONNECTOR DIMENSIONS ARE DIFFERENT THAN SHOWN, VERIFY THE CONNECTOR CAN BE PUSHED ALL THE WAY INTO THE CHARGER INLET AND RETAINED BY THE STRAIN RELIEF CLAMP OR RISK OF FIRE MAY OCCUR DUE TO LOOSE CONNECTION.

Figure 2:



INSTALLATION: to properly install the AC cordset connector to the charger inlet, please follow these four steps:

1. Loosen the screw (Figure 1, Item 2) on the strain relief clamp.
2. Insert the C15 connector fully into the Summit II charger AC inlet.
3. Verify the connector is fully in the charger inlet.
4. Tighten the strain relief clamp screw to secure the AC power cordset to the charger.



43156_A