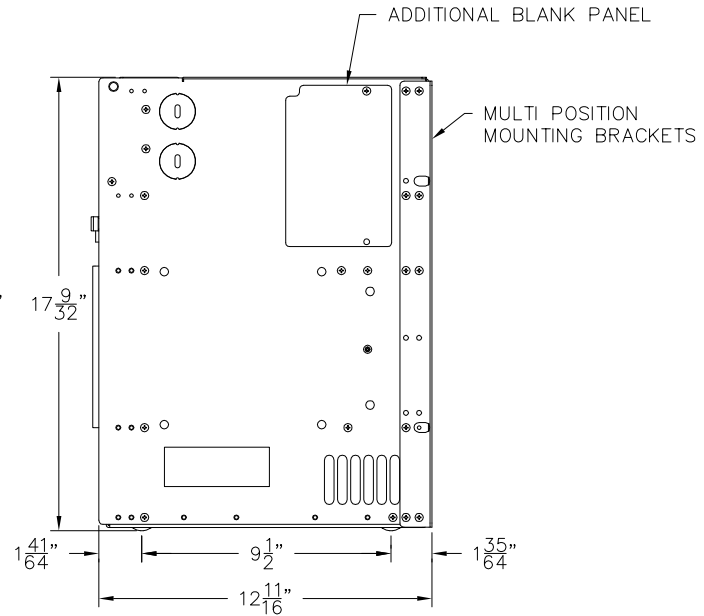
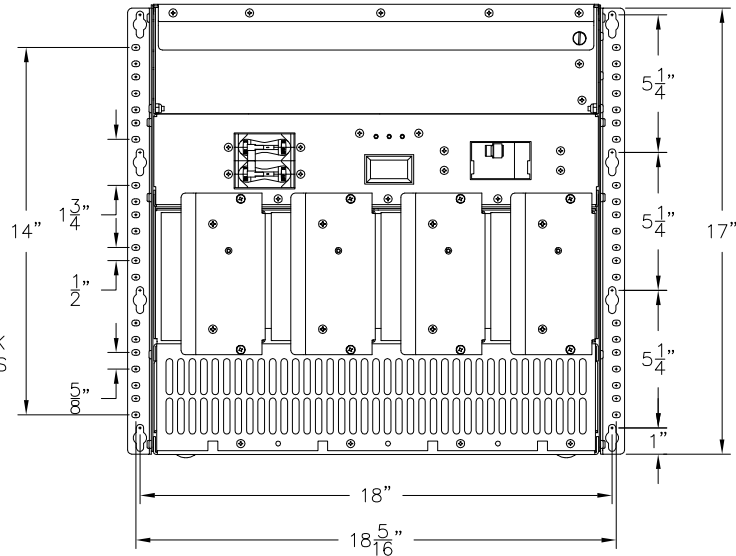


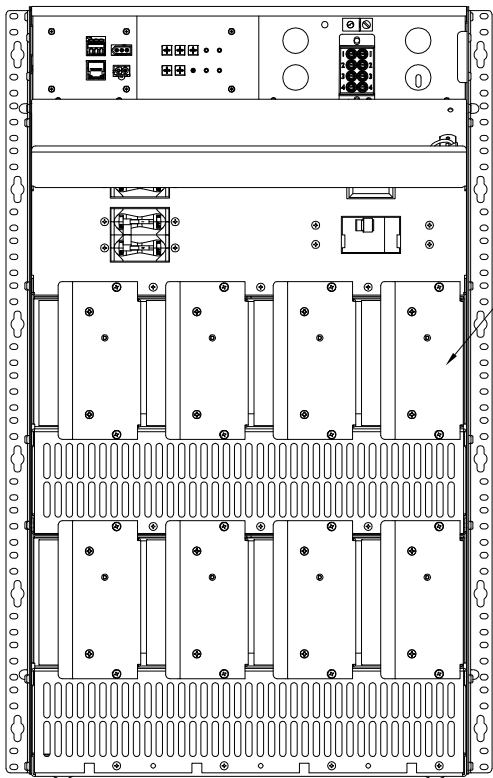
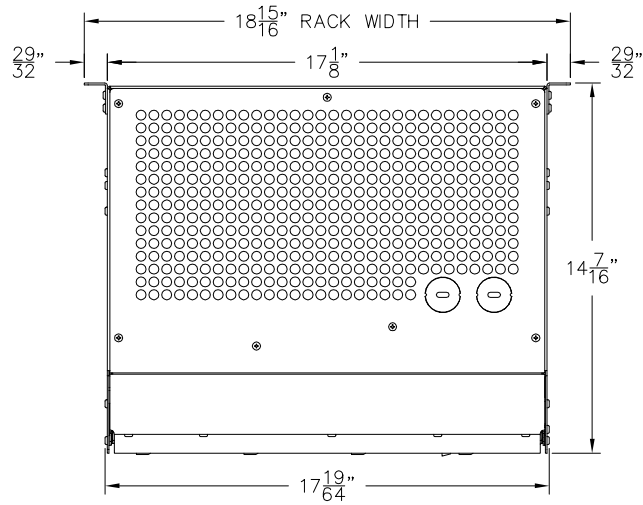
iPM, 4
MAX.

EIA
RACK
UNITS

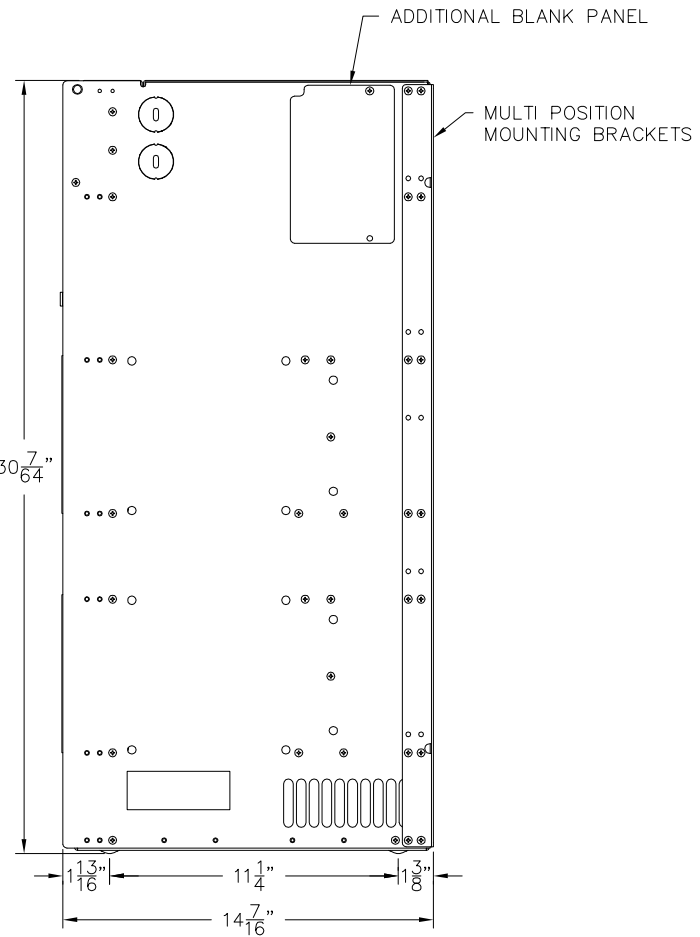
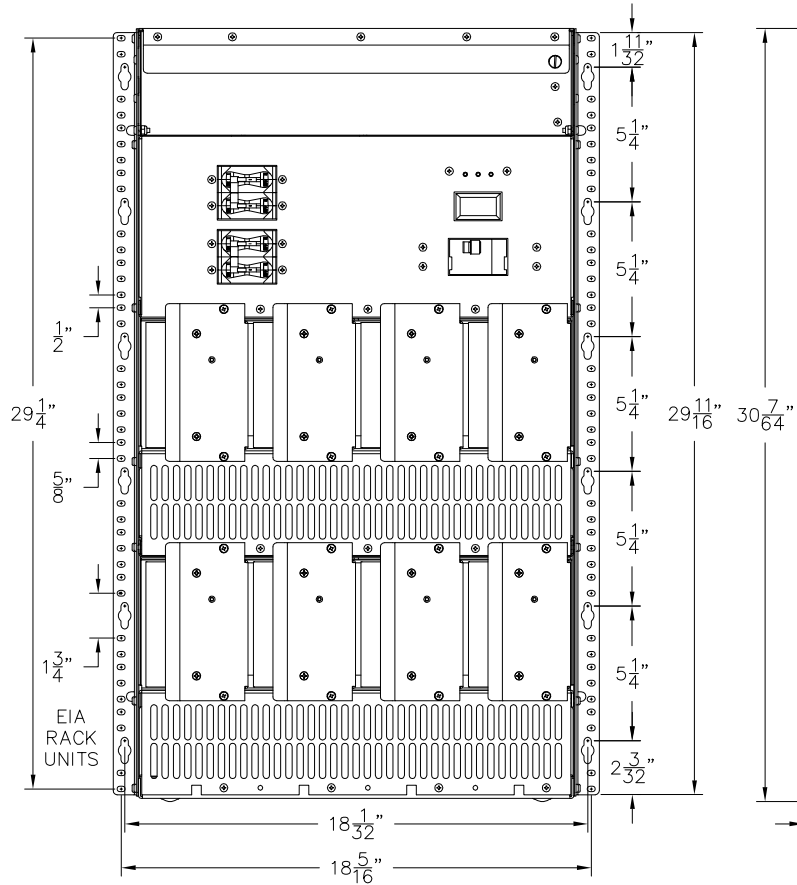


CHARGER SHOWN WITH DOOR OPEN, UIM ACCESS

THESE FRONT CHARGER VIEWS
WILL CHANGE DEPENDING ON
THE MODULE KIT OPTION

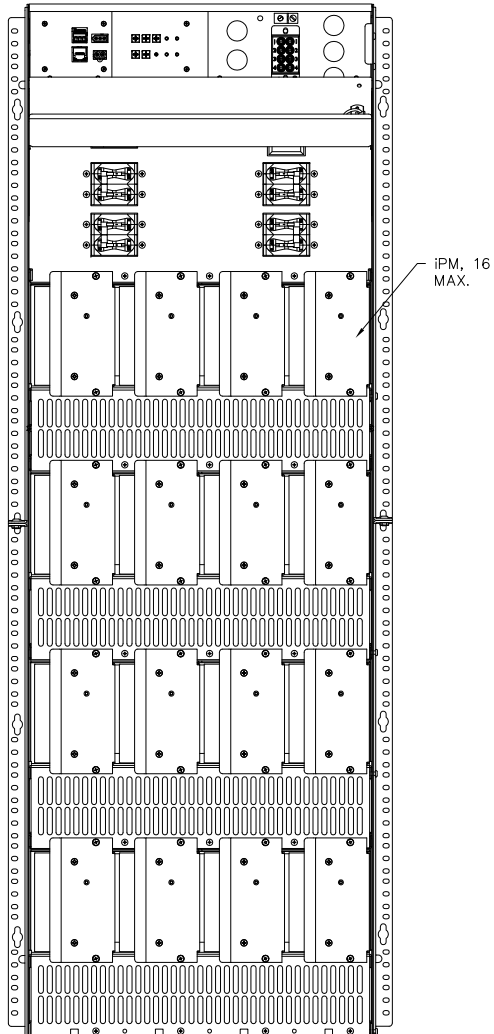
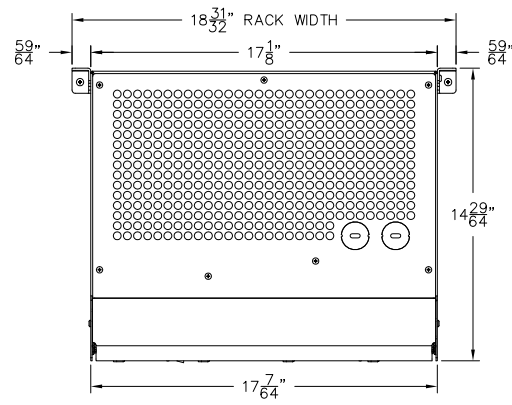


iPM, 8
 MAX.



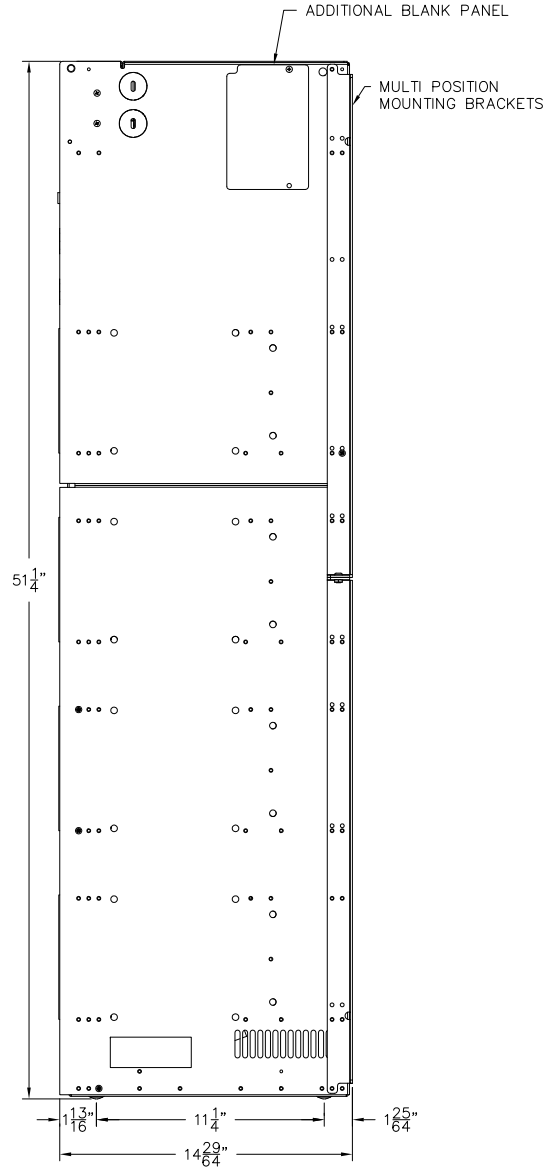
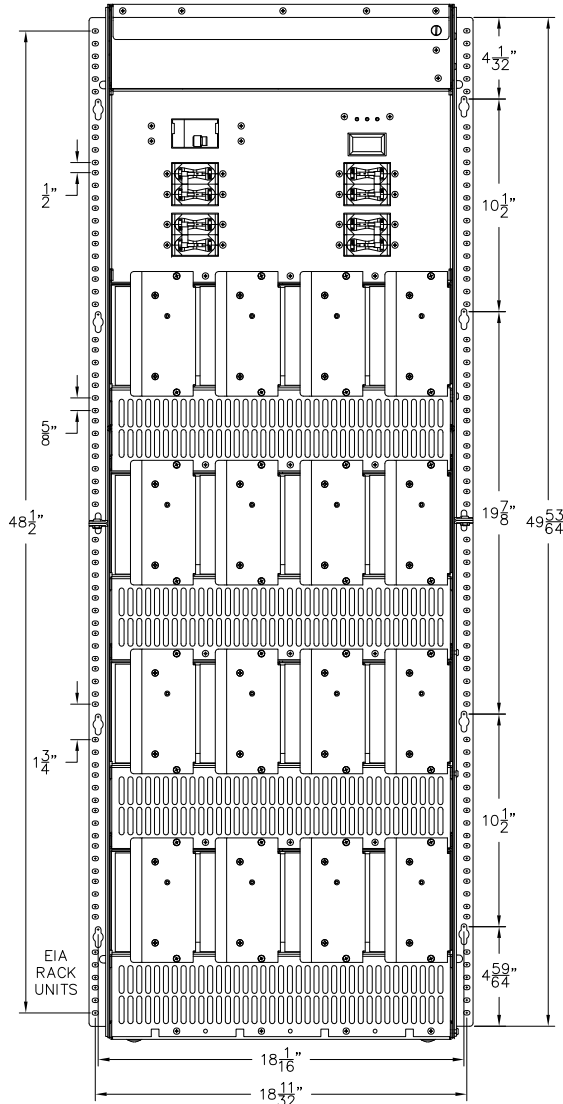
CHARGER SHOWN WITH DOOR OPEN, UIM ACCESS

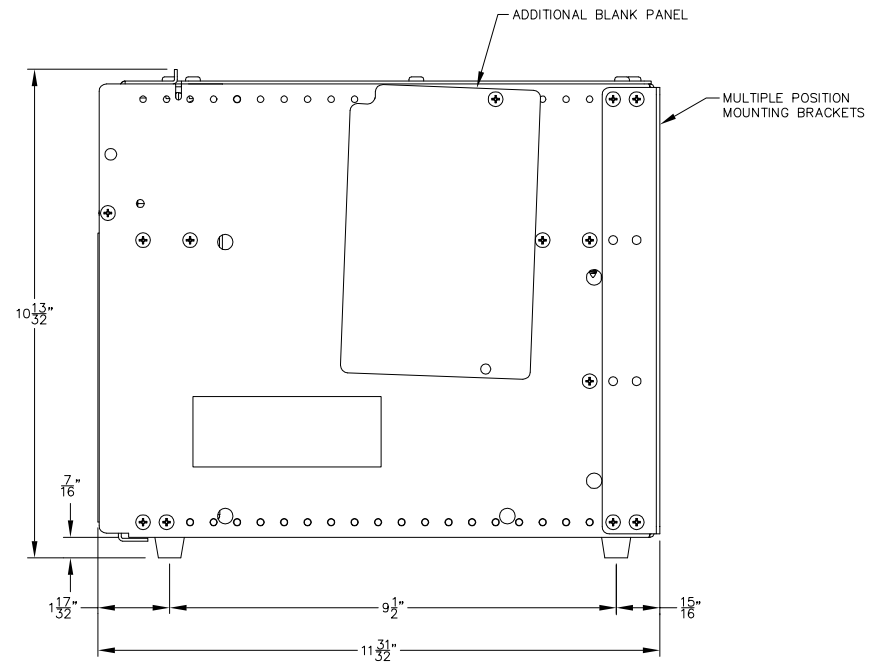
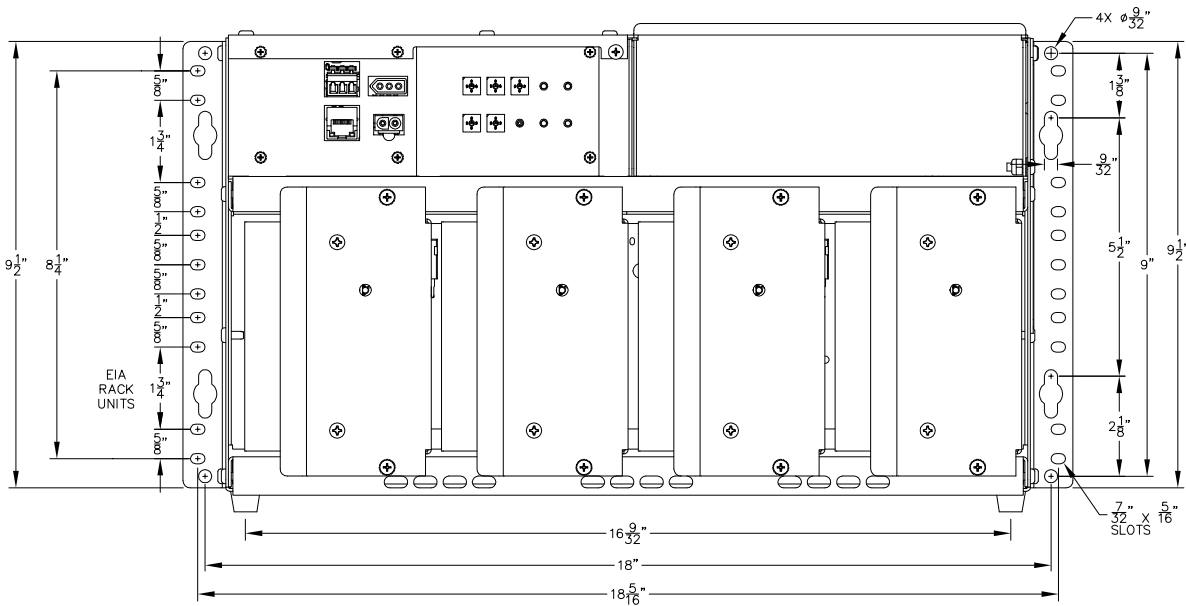
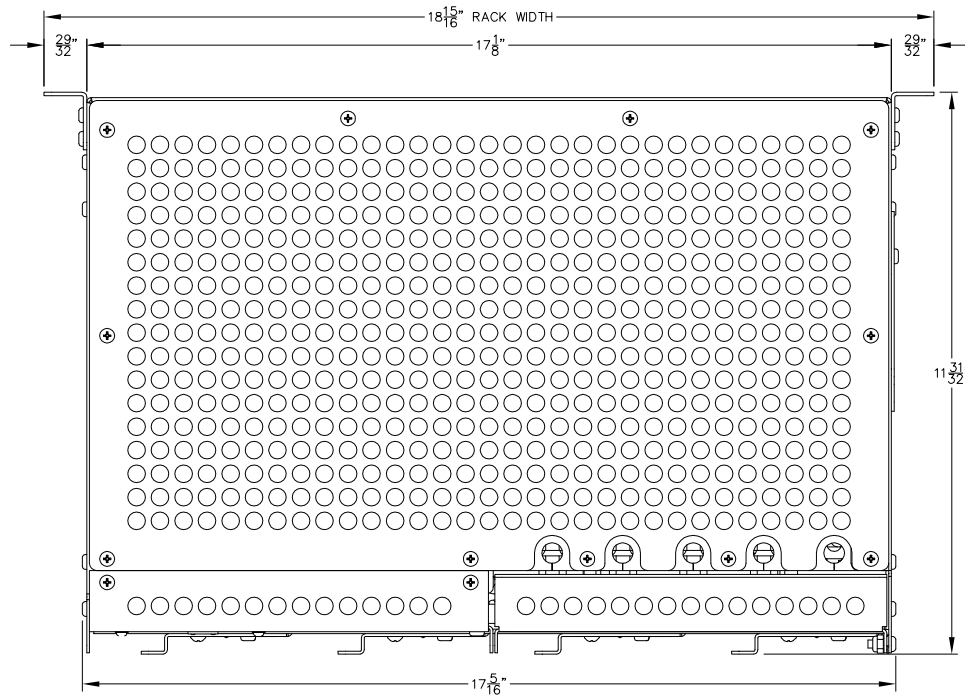
THESE FRONT CHARGER VIEWS
 WILL CHANGE DEPENDING ON
 THE MODULE KIT OPTION



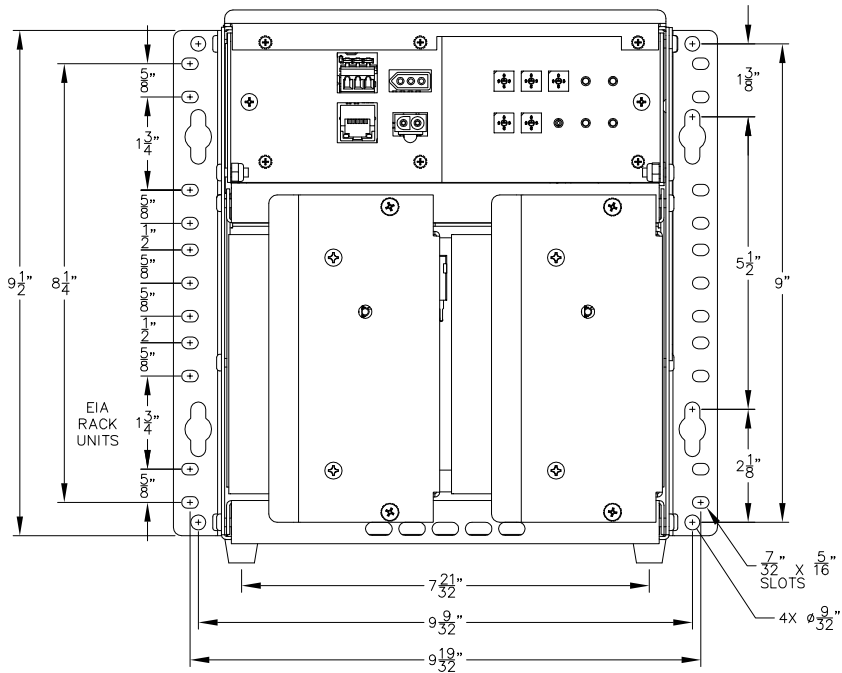
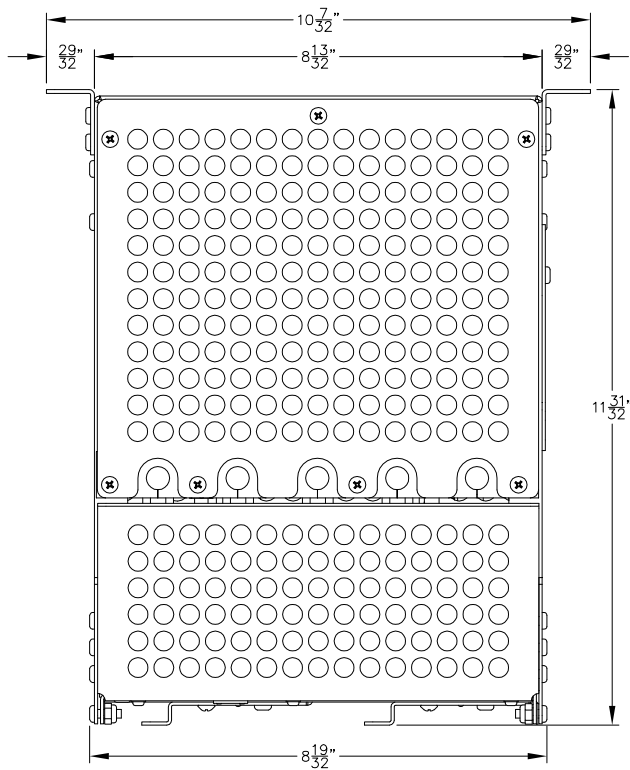
CHARGER SHOWN WITH DOOR OPEN, UIM ACCESS

THESE FRONT CHARGER VIEWS
WILL CHANGE DEPENDING ON
THE MODULE KIT OPTION





THIS VIEW WILL CHANGE DEPENDING ON THE MODULE KIT OPTION



THIS VIEW WILL CHANGE DEPENDING ON THE MODULE KIT OPTION

