



US00D778834S

(12) **United States Design Patent**
Holweger et al.

(10) **Patent No.:** **US D778,834 S**

(45) **Date of Patent:** **** Feb. 14, 2017**

(54) **CHARGER APPARATUS**

(71) Applicant: **Lester Electrical**, Lincoln, NE (US)

(72) Inventors: **Scott M. Holweger**, Lincoln, NE (US);
Daniel R. Barsell, Omaha, NE (US);
David A. Biere, Kearney, NE (US)

(73) Assignee: **Lester Electrical**, Lincoln, NE (US)

(**) Term: **15 Years**

(21) Appl. No.: **29/553,790**

(22) Filed: **Feb. 4, 2016**

(51) **LOC (10) Cl.** **13-02**

(52) **U.S. Cl.**
USPC **D13/110**

(58) **Field of Classification Search**
USPC D13/110, 103, 107, 108, 123, 133,
D13/137.1, 138.1, 139.1, 144, 199;
174/53, 54, 59, 61; 307/150, 151;
320/111, 114; 363/132, 140, 363/142,
363/143, 146; 439/105, 131, 166,
439/171-173, 218, 222, 345, 518, 692,
439/956; D14/240, 251, 253, 432, 433,
D14/434

CPC H01R 13/00; H01R 13/44; H01R 25/00;
H01R 27/00; H01R 27/02; H01R 31/06;
H01R 31/065; H02J 1/00; H02J
7/00; H02J 7/0044

See application file for complete search history.

(56) **References Cited**

U.S. PATENT DOCUMENTS

5,494,449 A *	2/1996	Chioo	H01R 13/5213 439/131
D596,562 S *	7/2009	Hong	D13/108
D660,229 S *	5/2012	Tseng	D13/110
D702,182 S *	4/2014	Druker	D13/110
D714,293 S *	9/2014	Kelly	D14/433
D734,261 S *	7/2015	Kelly	D13/110

* cited by examiner

Primary Examiner — Derrick Holland

(74) *Attorney, Agent, or Firm* — Suiter Swantz pc llo

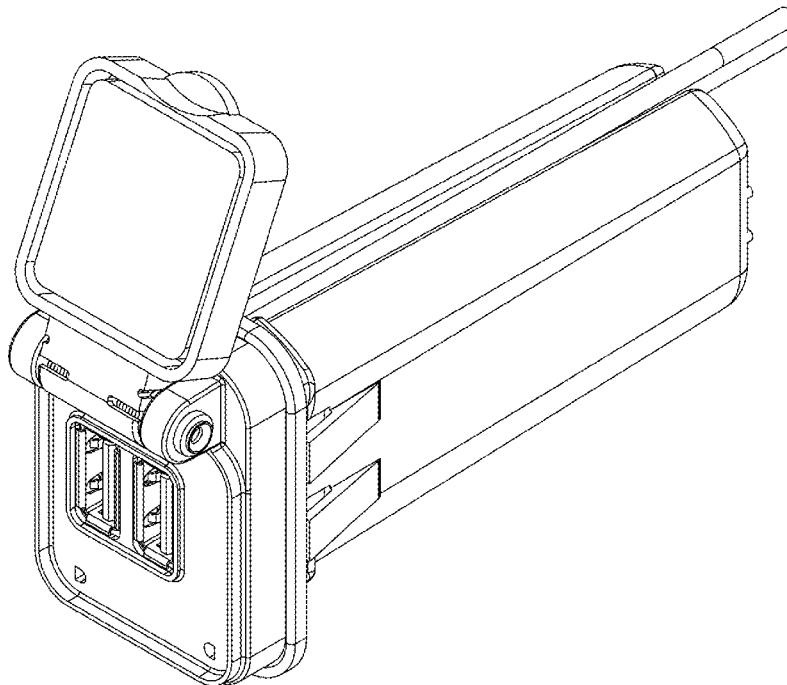
(57) **CLAIM**

The ornamental design for a charger apparatus, as shown and described.

DESCRIPTION

FIG. 1 is a perspective view of a charger apparatus showing our new design;
FIG. 2 is a top plan view thereof;
FIG. 3 is a front elevation view thereof;
FIG. 4 is a first side elevation view thereof;
FIG. 5 is a rear elevation view thereof;
FIG. 6 is a second side elevation view thereof; and,
FIG. 7 is a bottom plan view thereof.
The broken lines shown represent unclaimed subject matter and form no part of the claimed design.

1 Claim, 7 Drawing Sheets



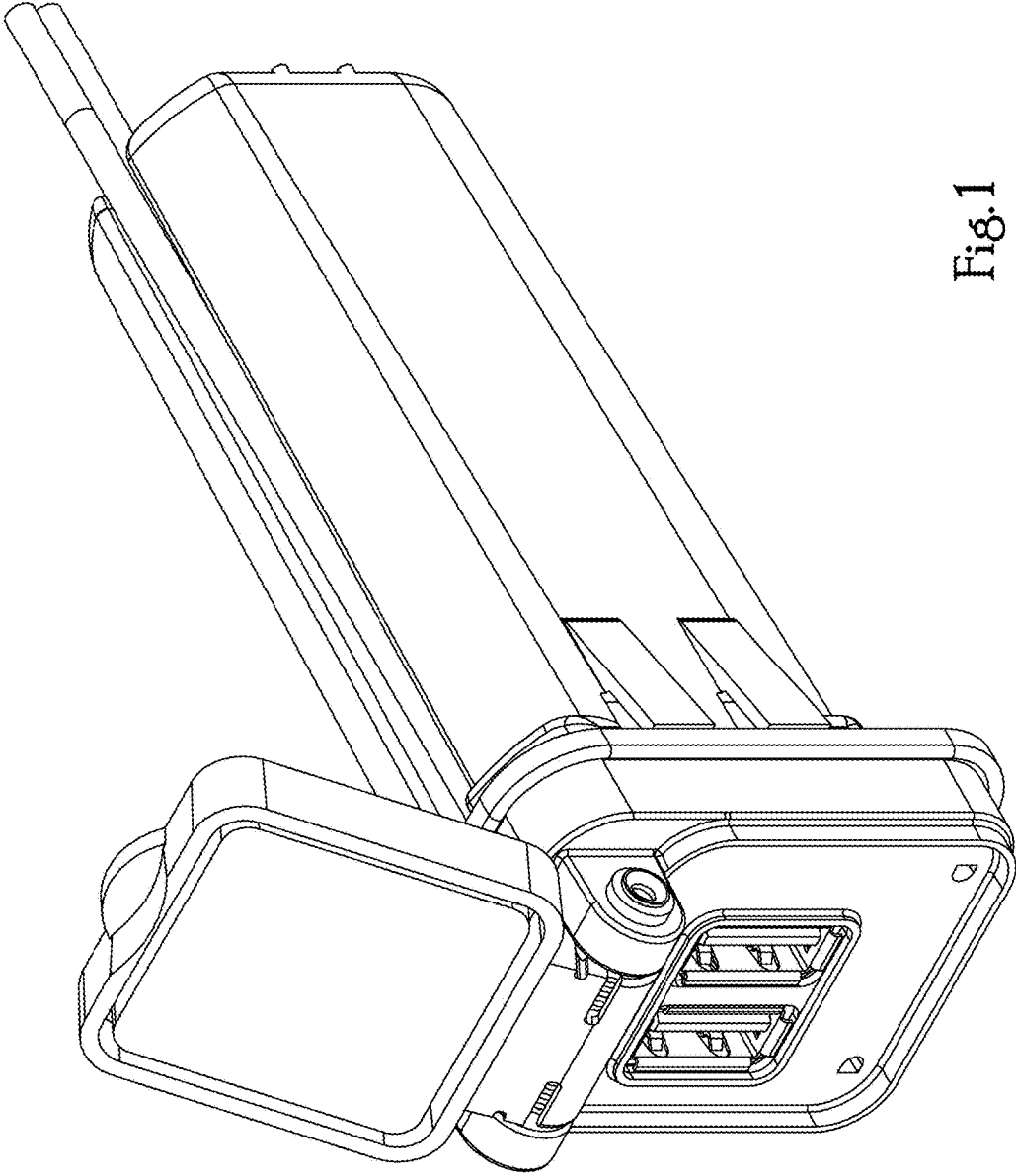


Fig. 1

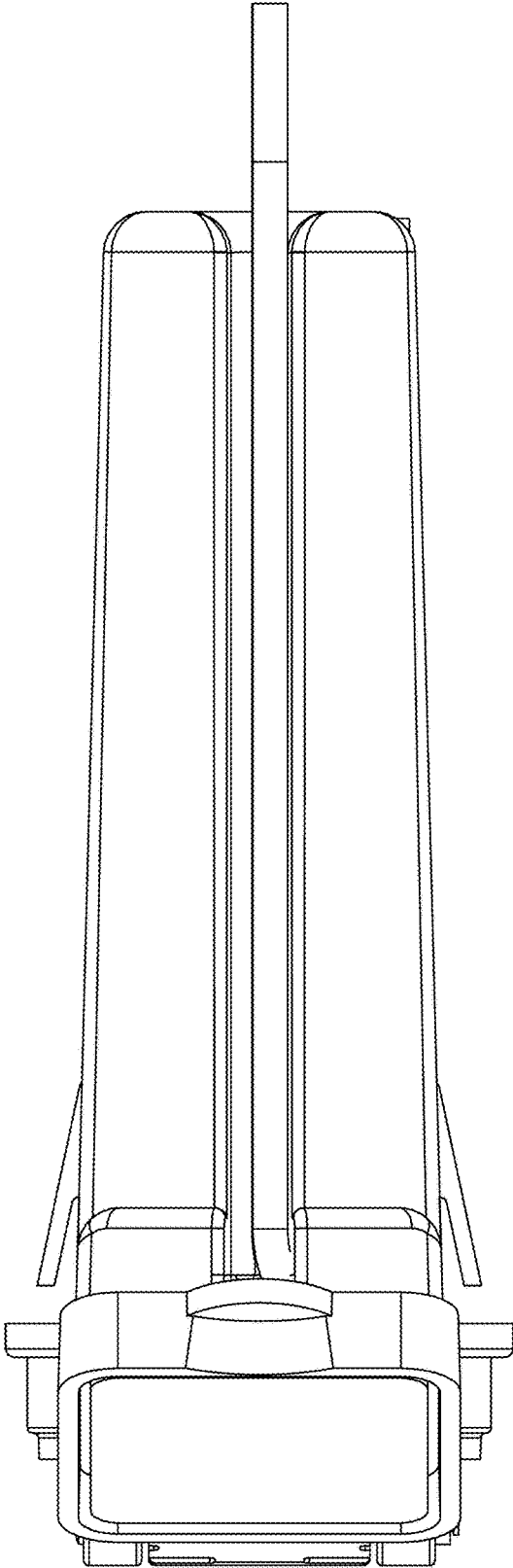


Fig. 2

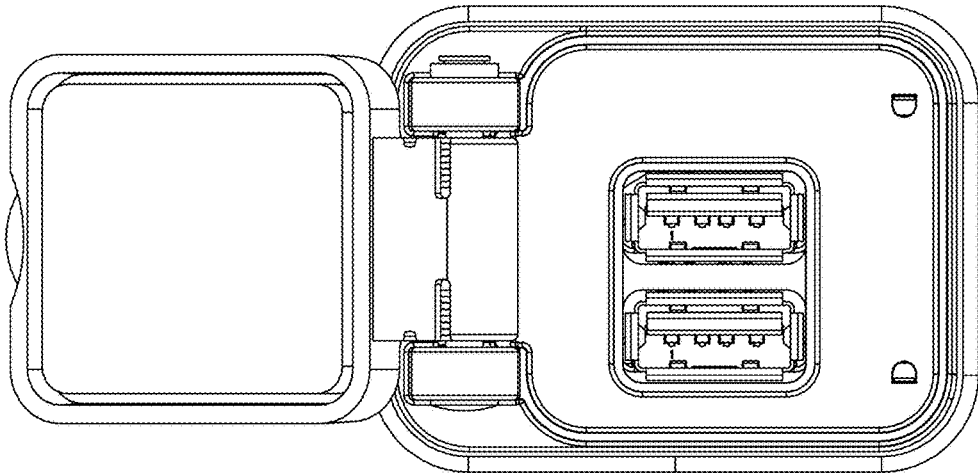


Fig. 3

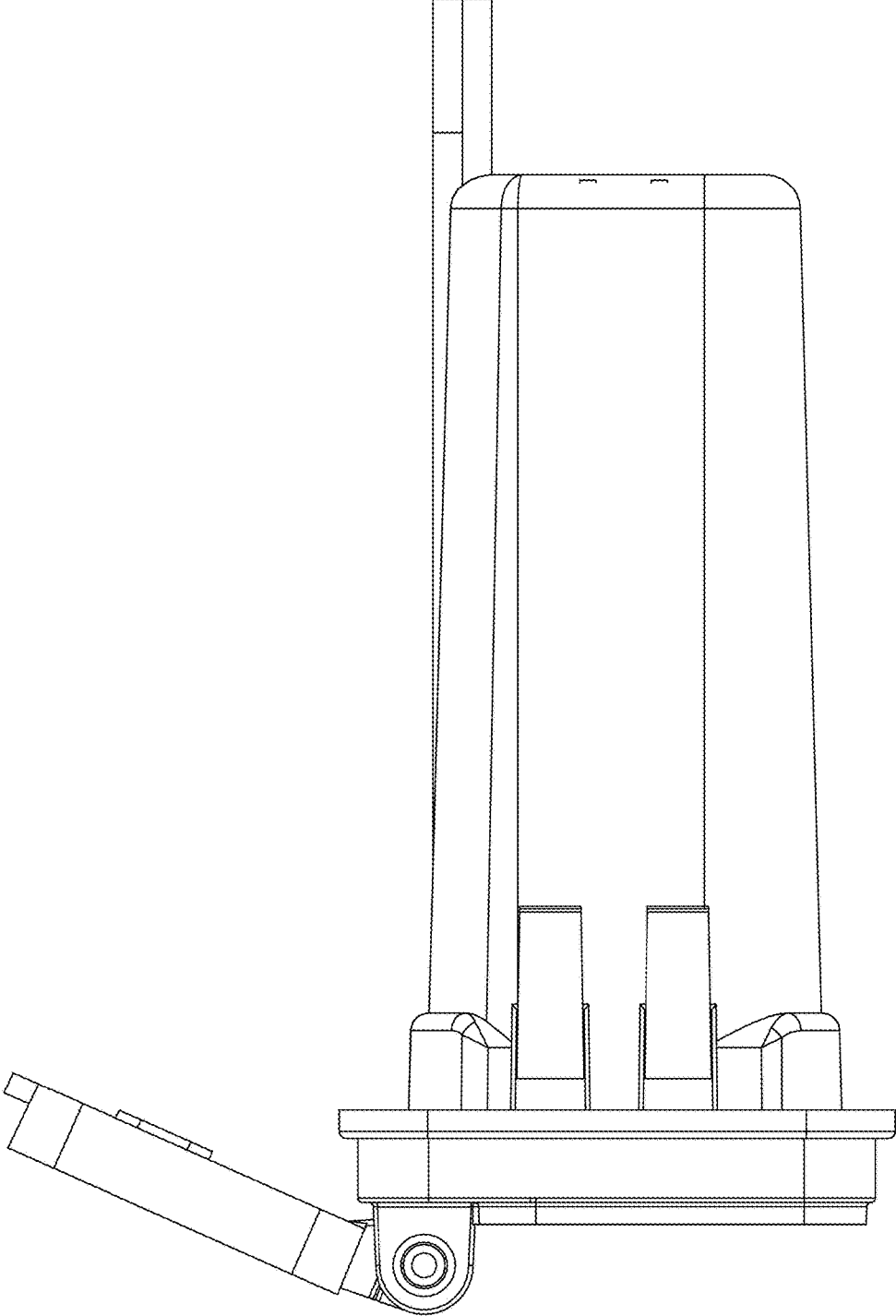


Fig. 4

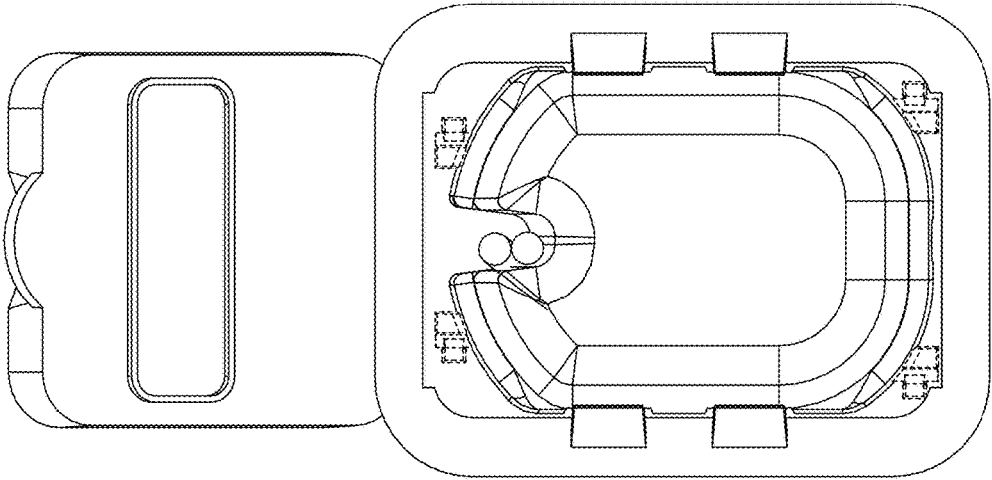


Fig. 5

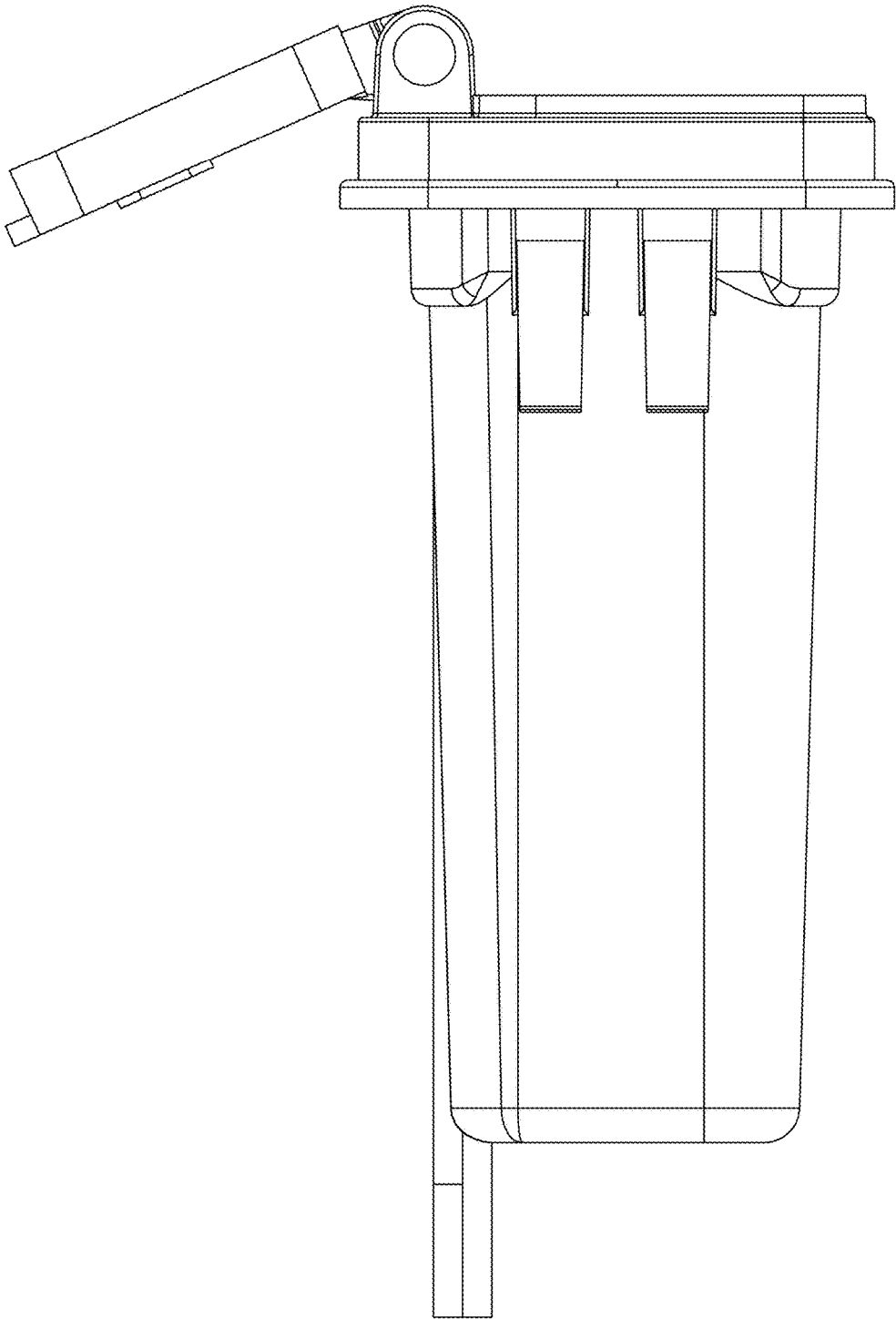


Fig. 6

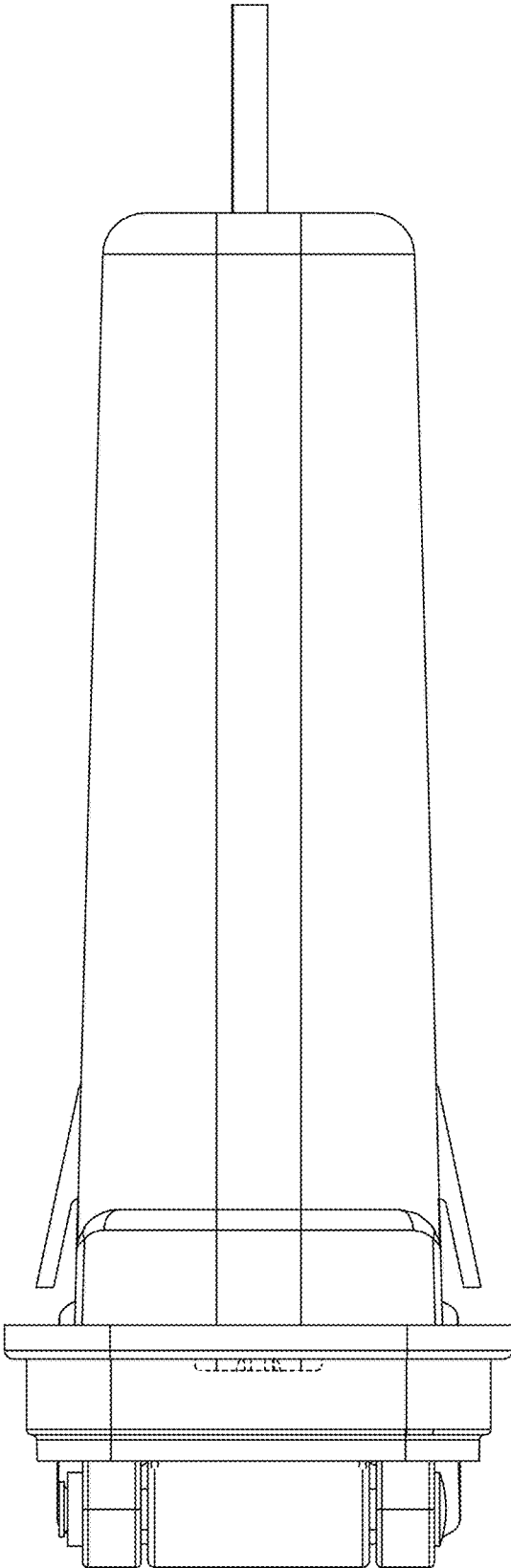


Fig. 7