



gcLINK USB CHARGER



Founded in 1963, Lester Electrical is a worldwide leader in designing and manufacturing electrical power conversion and monitoring products. Our team proudly introduces our gcLink golf car USB charger. Designed by our expert Engineers, the gcLink offers compact dimensions and a sleek design, partnering beautifully with any of today's electric vehicles.



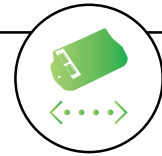
PERFORMANCE

Auto Detect technology provides full rate charging compatibility with most devices. The gcLink is built with Lester Electrical proprietary charging intelligence and features high output with 3A shared between both ports.



EXPERTISE

Lester Electrical has been designing and manufacturing electrical power conversion and monitoring products for more than fifty years. We are an employee-owned company and average experience is in the double-digits for our staff.



COMPATIBILITY

The gcLink is compatible with all makes, models and years of electric golf cars. It pairs well with most smart phones and tablets and is easy to integrate and install with any line.



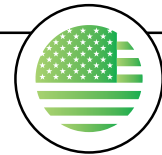
USER EXPERIENCE

The gcLink supports both 48V and 36V DC battery systems and a separate DC-toDC converter is not required (as is often the case with 12V USB chargers). Our design features two (2) USB ports for simultaneous charging.



DURABILITY

The gcLink is designed and manufactured with encapsulated electronics to protect against moisture, corrosion, shock and vibration. It is tested in rugged environments and built to continue providing a precise charge despite the abuse of being used in a golf car.



AMERICAN MADE

The gcLink was passionately designed and is proudly manufactured in the U.S.A. at our manufacturing plant in Lincoln, Nebraska. Quality is built into every product made for our clients.

SPECIFICATIONS

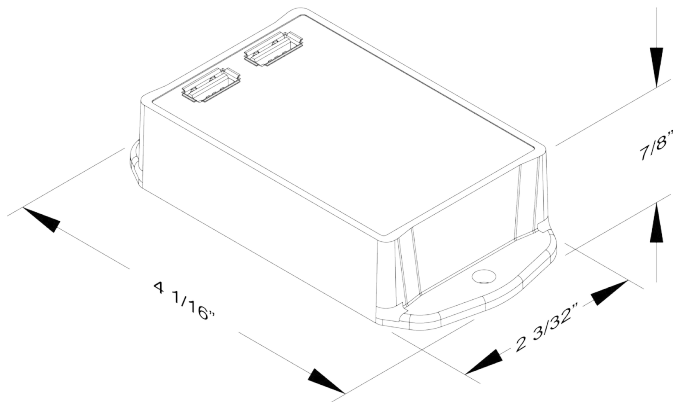
DC INPUT	
Battery Systems	48 V, 36 V, 24 V
Voltage range, operating	19-72 V
Cable	8 ft., battery positive market with stripes
Protection	Current limit (fused, non-replaceable), reverse polarity, short circuit

DC OUTPUT	
USB	2 Dedicated Charging Ports (DCP's)
Connectors	Standard-A receptacles, gold-plated contacts
Voltage	5 V +/- 5%
Current	3 A; shared; < 30 V input: 2.5 A, shared

ENVIRONMENTAL	
Operating Temperature	(-20° C to 50° C) (-4° F to 122° F)
Storage Temperature	(-40° C to 85° C) (-40° F to 185° F)

MECHANICAL	
Dimensions (LxWxH)	4 1/16 x 2 3/32 x 1 1/16
Encapsulated Electronics	Protected from moisture, corrosion, shock and vibration

SAFETY / REGULATORY	
Safety / Emissions	FCC Part 15, Class A



WEBSITE: www.LesterElectrical.com

PHONE: (402) 477-8988

E-MAIL: Sales@LesterElectrical.com

Lester Electrical
625 West A Street, Lincoln, NE 68522, USA