



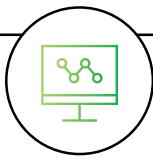
PRIME INDUSTRIAL BATTERY CHARGER



28480

24V / 12A

The most compact chargers from Lester Electrical, the PRIME boasts a desirable feature set coupled with the charging performance only available with a Lester Electrical quality charger. Ideal charger for use in any motive application (scissor lifts, lift trucks, floor care machines, golf cars, outdoor power).



PERFORMANCE

Our PRIME provides industry-leading charging performance and intelligence. Our proprietary Progressive DV/DT™ charge algorithm ensures a precisely charged battery every time. The charges are tested in extreme temperatures and operating conditions and built to last.



EXPERTISE

Lester Electrical has been designing and manufacturing industrial battery chargers for more than fifty years. We are an employee owned company and every member of our team is invested in the quality we deliver our customers



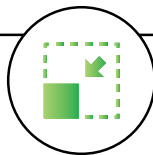
EFFICIENCY

Our switch mode (high frequency) chargers have best-in-class efficiency and are compliant with California Energy Commission (CEC) standards. We operated a CEC approved laboratory in our Lincoln, NE manufacturing plant.



FLEXIBILITY

Universal AC input with IEC inlet and external DC and signal connections allow for easy customization and worldwide use.



COMPACT

The PRIME is packed with 350W of power and designed to provide exceptional charging in one of the most compact packages available. Ideal for use in on-board applications where space is a premium.



AMERICAN MADE

The PRIME is passionately designed and proudly manufactured in the U.S.A. at our manufacturing plant in Lincoln, Nebraska. Quality is built into every product made for our clients.

SPECIFICATIONS

AC INPUT

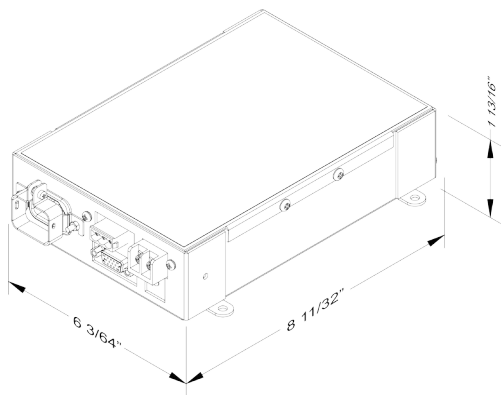
Voltage range, rated	100-230 Vac
Voltage range, operating	85-265 Vac (< 100 Vac: reduced power)
Frequency, rated	50-60 Hz
Frequency, operating	45-65 Hz
Phase	Single-phase
Current, maximum	4 A
Efficiency	> 92% Peak; > 90% average, full charge cycle; AC plug to DC connector
Power factor	> 0.98, 120 Vac; > 0.95, all AC input voltages
Protection	Current limit, surge, transient, under voltage, over voltage

DC OUTPUT

Power	350 W
Voltage, nominal	24 Vdc
Voltage, maximum	36 Vdc
Current, rated	12 A
Voltage, min start-up	3 Vdc
Battery	Lead acid (Wet / AGM / Gel), lithium
Protection	Current limit, short circuit, reverse polarity, under voltage, over voltage, wrong battery voltage

ENVIRONMENTAL

Enclosure rating	IP66
Operating temperature	-25 °C to 45° C (-13 °F to 113 °F) > 35 °C: reduced power
Storage temperature	-40 °C to 80° C (-40 °F to 176 °F)



USER & VEHICLE INTERFACES

Local LEDs	Single, Tri-Color
Remote LEDs	Single, Tri-Color, connector standard, remote LED assembly optional
Lockout	NC and NO relay contacts, 10A cont, connector standard, lockout wiring optional
Battery temperature	Connector standard, battery temperature sensor optional
Communication	With optional cable

MECHANICAL

Dimensions (LxWxH), (removable feet not included)	8.35 x 6.04 x 1.85 in (213 x 154 x 47 mm)
Cooling	Natural convection (no fan)
AC connector	IEC 60320 C14 inlet with cord clamp
DC connector	External screw terminals, variety of DC cordsets available as factory-installed options
Mounting	On-board or off-board (shelf)

SAFETY / REGULATORY

Efficiency	California Energy Commission (CEC) Appliance Efficiency Regulations, Title 20
Safety / Emissions	UL recognized, listed; cUL/CSA certified; FCC Part 15, Class A; EN safety, emissions; immunity; CE Certified



WEBSITE: www.LesterElectrical.com

PHONE: (402) 477-8988

E-MAIL: Jilla@LesterElectrical.com

Lester Electrical
625 West A Street, Lincoln, NE 68522, USA