



US00D707181S

(12) **United States Design Patent**
Schmidt et al.

(10) **Patent No.:** **US D707,181 S**

(45) **Date of Patent:** **** Jun. 17, 2014**

(54) **ELECTRICAL PLUG**

(75) Inventors: **Lonnie L Schmidt**, Lincoln, NE (US);
Gary L Bouc, Lincoln, NE (US)

(73) Assignee: **Lester Electrical of Nebraska, inc.**,
Lincoln, NE (US)

(**) Term: **14 Years**

(21) Appl. No.: **29/425,324**

(22) Filed: **Jun. 21, 2012**

(51) **LOC (10) Cl.** **13-03**

(52) **U.S. Cl.**
USPC **D13/147**

(58) **Field of Classification Search**
USPC D13/107, 108, 110, 119, 120, 133, 146,
D13/147, 154, 184, 199; 439/644, 649, 671,
439/675, 677, 680, 682, 692

See application file for complete search history.

(56) **References Cited**

U.S. PATENT DOCUMENTS

D418,816	S	*	1/2000	Wu	D13/146
D460,049	S	*	7/2002	McCoy	D13/147
D493,428	S	*	7/2004	McCoy	D13/147
D560,168	S	*	1/2008	McCoy	D13/146
D627,730	S	*	11/2010	Huang et al.	D13/146
D691,090	S	*	10/2013	Dachs	D13/146

* cited by examiner

Primary Examiner — Daniel Bui

(74) *Attorney, Agent, or Firm* — Matt Catlett

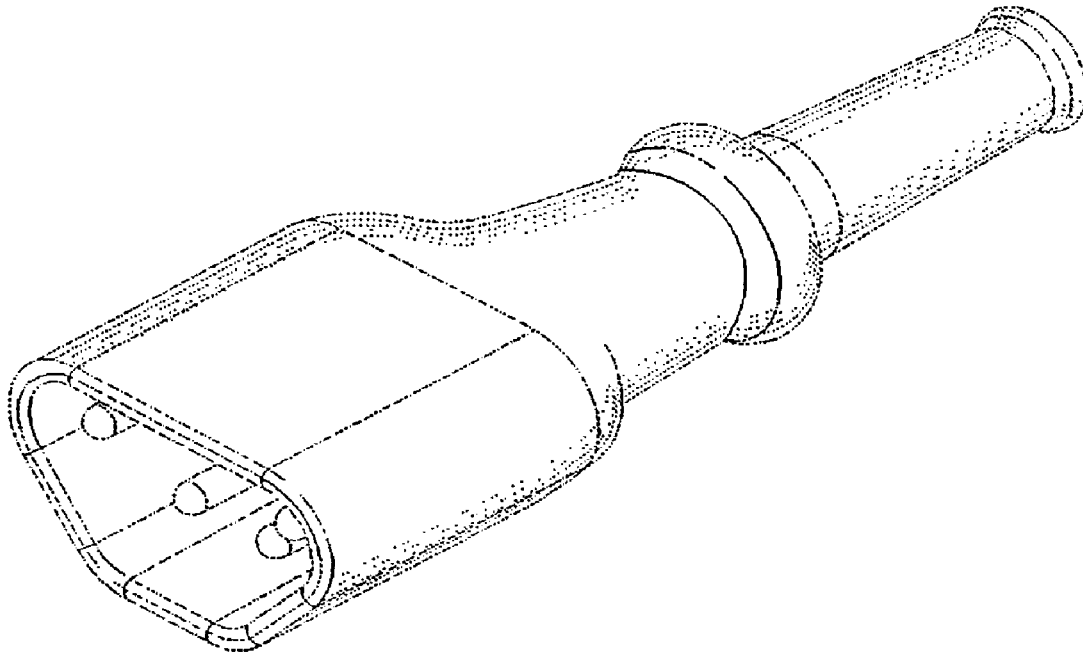
(57) **CLAIM**

We claim the ornamental design for a electrical plug, as shown and described.

DESCRIPTION

FIG. 1 is a top perspective view of an electrical plug showing our new design;
FIG. 2 is a side elevation view thereof;
FIG. 3 is a top plan view thereof; and,
FIG. 4 is a front elevation view thereof.

1 Claim, 4 Drawing Sheets



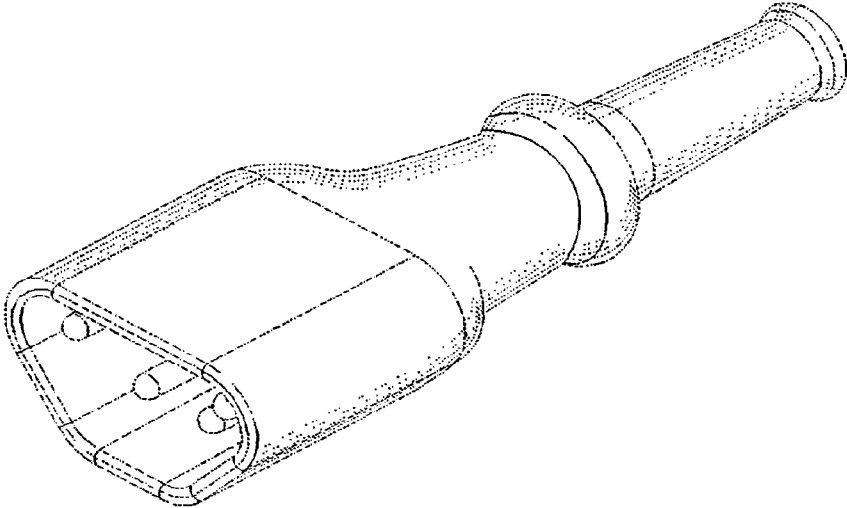


FIG. 1

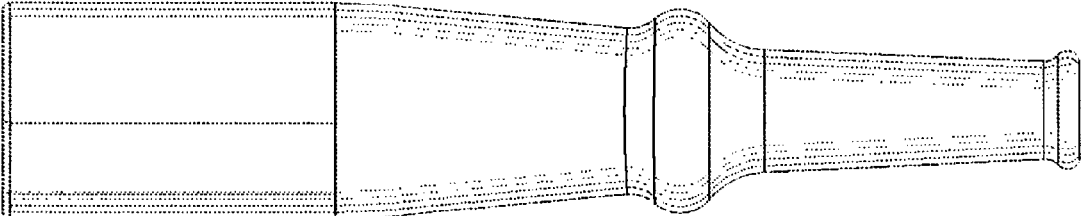


FIG. 2

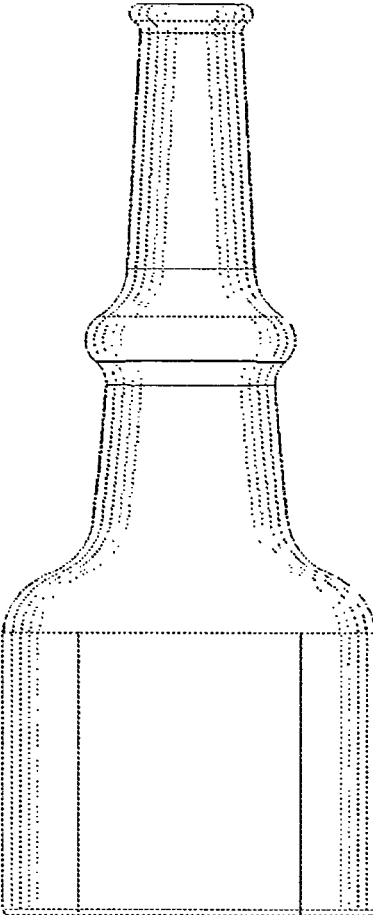


FIG. 3

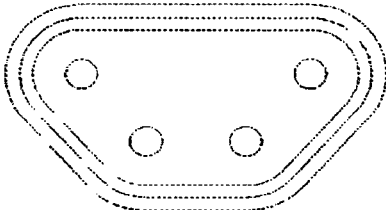


FIG. 4