



US00D705738S

(12) **United States Design Patent**
Schmidt et al.

(10) **Patent No.:** **US D705,738 S**

(45) **Date of Patent:** **** May 27, 2014**

(54) **ELECTRICAL PLUG**

(56) **References Cited**

(71) Applicant: **Lester Electrical of Nebraska, Inc.**,
Lincoln, NE (US)

U.S. PATENT DOCUMENTS

(72) Inventors: **Lonnie L. Schmidt**, Lincoln, NE (US);
Gary L Bouc, Lincoln, NE (US)

D298,931 S *	12/1988	Sekiguchi	D13/147
D320,001 S *	9/1991	Hirabayashi	D13/146
D406,816 S *	3/1999	Hopper et al.	D13/146
D447,464 S *	9/2001	Bosatelli	D13/146
D512,378 S *	12/2005	Dobler	D13/146
D585,837 S *	2/2009	Kuehne et al.	D13/154
D615,496 S *	5/2010	Mennekes	D13/147
D644,609 S *	9/2011	Marroquin	D13/147

(73) Assignee: **Lester Electrical of Nebraska, Inc.**,
Lincoln, NE (US)

* cited by examiner

(**) Term: **14 Years**

Primary Examiner — Daniel Bui

(21) Appl. No.: **29/440,061**

(74) *Attorney, Agent, or Firm* — Matt Catlett

(22) Filed: **Dec. 18, 2012**

(57) **CLAIM**

We claim the ornamental design for a electrical plug, as shown and described.

(51) **LOC (10) Cl.** **13-03**

DESCRIPTION

(52) **U.S. Cl.**

USPC **D13/146**

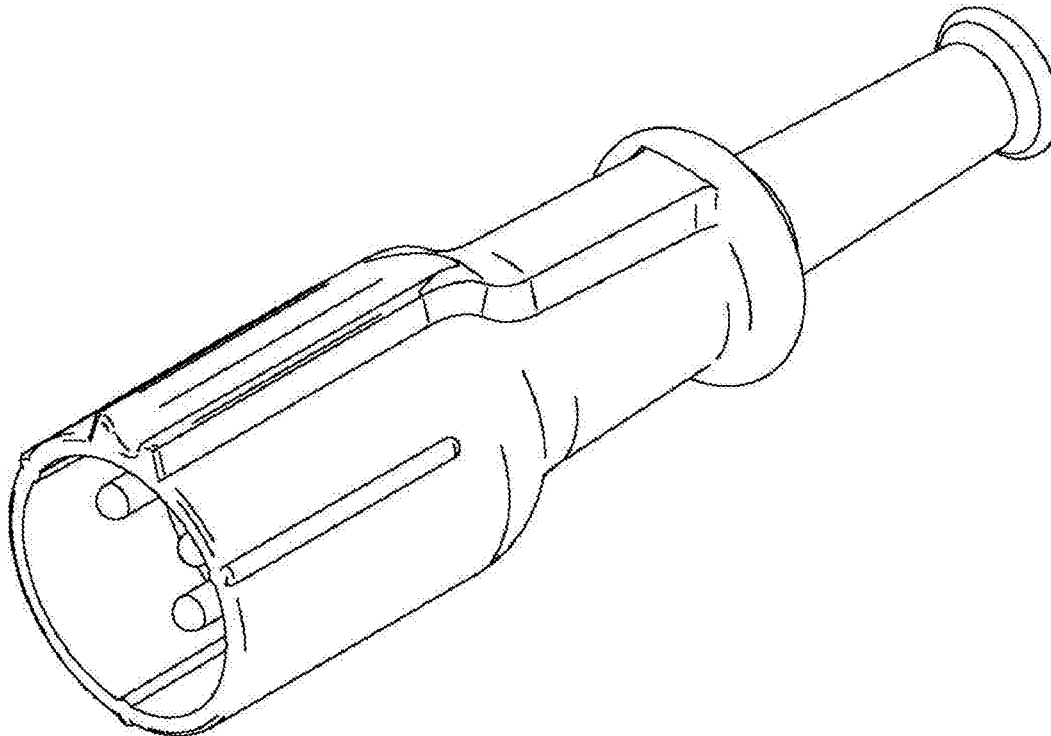
(58) **Field of Classification Search**

USPC D13/107, 108, 110, 119, 120, 133, 146,
D13/147, 154, 184, 199; 439/644, 649, 671,
439/675, 677, 680, 682, 692

FIG. 1 is a top perspective view of an electrical plug showing our new design;
FIG. 2 is a side elevation view thereof;
FIG. 3 is a top plan view thereof; and,
FIG. 4 is a front elevation view thereof.

See application file for complete search history.

1 Claim, 4 Drawing Sheets



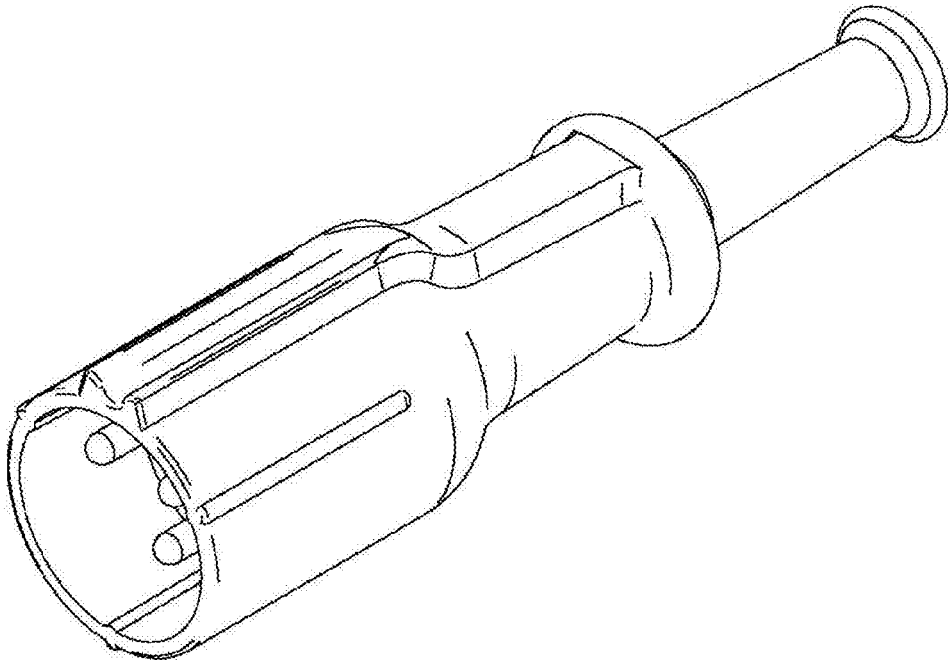


FIG. 1

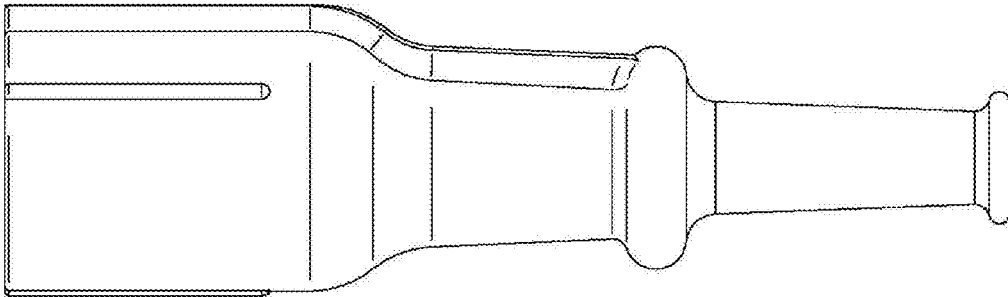


FIG. 2

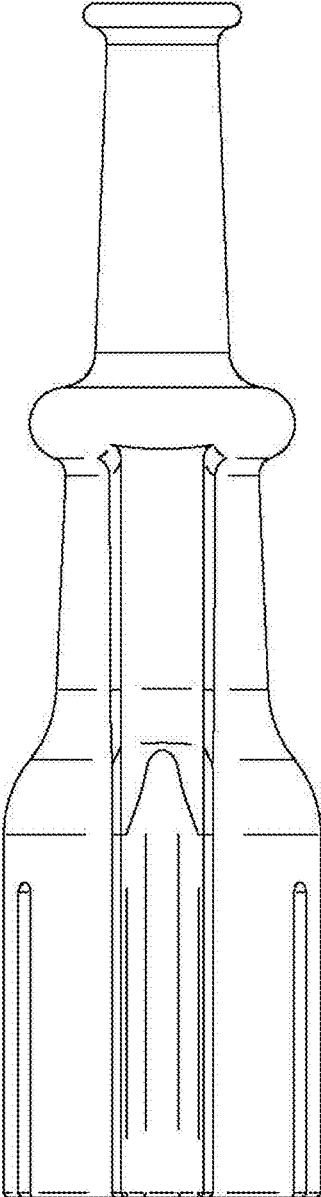


FIG. 3

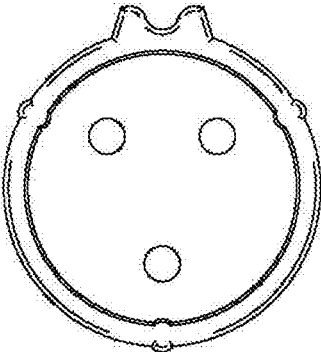


FIG. 4