

SUMMIT SERIES[®] II

BLUETOOTH[®]
SMART WIRELESS

CLOUD
CONNECTIVITY

AUTOMATIC
MULTI-VOLTAGE DC

INDUSTRIAL
SWITCH
MODE
BATTERY
CHARGERS

SALES

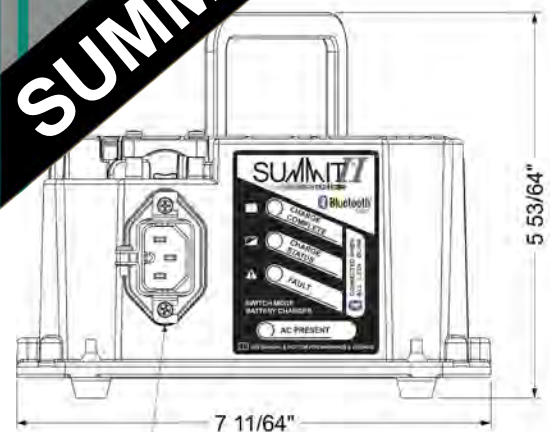


SUMMIT

- 650W models:
 - 48V/13.5A, 36V/18A
- Multi-voltage support
 - Automatic DC output voltage detection and adjustment
 - 48V and 36V battery packs can be charged with a single charger
- Bluetooth Smart wireless communication
 - Apps for Apple[®] and Android[™] phones and tablets
 - View charge cycle status
 - Time remaining, time elapsed, current, voltage, amp-hours, phase, faults
 - Select the active charge profile
 - Upload new charge profiles to the charger
 - Download charge cycle history records
- Cloud connectivity via the app
 - Download new charge profiles from the Cloud
 - Upload charge cycle history records to the Cloud for access anywhere in the world
- Over 200 charge cycle history records stored on the charger
- CAN bus communication standard
 - Vehicle / machine integration
 - Lithium-ion BMS communication
- External DC and signal connections
 - Lockout / interlock, remote LED, and battery temperature sensor
- Switch mode (high frequency) technology
- Best-in-class efficiency
 - California Energy Commission (CEC) and Department of Energy (DOE) compliant
- Low DC output ripple
- Industry-leading charging performance and intelligence
 - Wet/flooded, AGM, gel, and lithium-ion charge profiles
 - *Progressive DV/DT*[™] charge algorithm support
- On-board (built-in) or off-board (shelf) charging
- Universal AC input with IEC inlet
 - 85-265 Vac, 45-65 Hz
- Sealed enclosure, IP66, NEMA 4
- High reliability, durability, and longevity
- Intelligent natural convection cooling (no fan)
 - Leading temperature vs output power performance
- Safety/regulatory approvals
 - UL recognized/listed, cUL/CSA, CE/EN, RCM, FCC, ICES, CEC, DOE

48V

36V

SUMMIT SERIES[®] II

AC INPUT IEC 60320/C16

E S T . 1 9 6 3

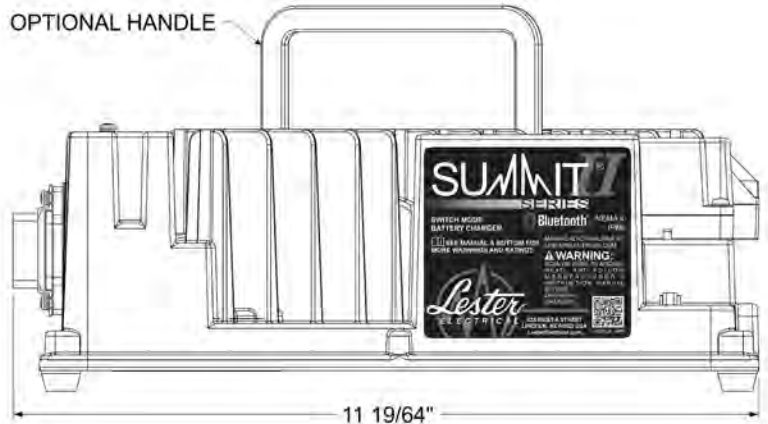
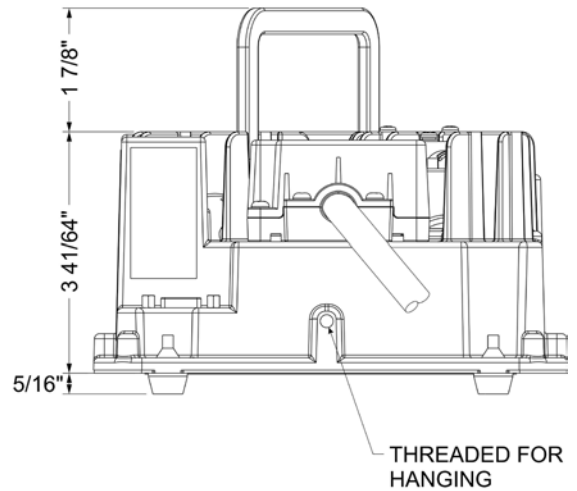
SERIES[®] II



PHONE / TABLET APP



OPEN TERMINAL BLOCK



SPECIFICATIONS

AC INPUT

Voltage range, rated	100-240 Vac
Voltage range, operating	85-265 Vac (< 108 Vac: reduced power)
Frequency, rated	50-60 Hz
Frequency, operating	45-65 Hz
Phase	Single-phase
Current, maximum	8 A
Efficiency	> 91.5% peak, CEC test procedure, 115 Vac, AC and DC losses included
Protection	Current limit, surge, transient, under voltage, over voltage

DC OUTPUT

Power	650 W	
Voltage, nominal	48 Vdc	36 Vdc
Voltage, maximum	72 Vdc	54 Vdc
Current, maximum	13.5 A	18 A
Voltage, min start-up	10 Vdc	
Battery types	Wet/flooded, AGM, gel deep-cycle lead-acid; lithium-ion; custom	
Protection	Current limit, short circuit, reverse polarity, under voltage, over voltage, wrong batt voltage	

The Bluetooth® word mark and logos are registered trademarks owned by Bluetooth SIG, Inc., and any use of such marks by Lester Electrical is under license. Other trademarks and trade names are those of their respective owners.

Apple is a trademark of Apple Inc., registered in the U.S. and other countries. App Store is a service mark of Apple Inc., registered in the U.S. and other countries.

Android is a trademark of Google Inc. Google Play and the Google Play logo are trademarks of Google Inc.

CANopen® is a registered trademark of CAN in Automation in Europe.

USER & VEHICLE INTERFACES

Bluetooth Smart Wireless	Apps for Apple and Android phones and tablets
LEDs	Charge Complete (green), Charge Status (yellow), AC Present (blue), Fault (red)
Remote LED	Single tri-color; charge complete, charge status, fault; output standard; LED assembly optional
Lockout / interlock	Single wire
Battery temperature	Input standard; sensor optional
CAN bus communication	CANopen® standard, contact LE sales regarding other options

MECHANICAL

Dimensions (LxWxH), (removable feet not included)	11.297 x 7.172 x 3.641 in (287 x 183 x 93 mm)
Cooling	Natural convection (no fan)
AC connector	IEC 60320 C16 inlet with cord clamp
DC connector	External terminals with cover
Lockout connector	External terminal with cover
Battery temp connector	External terminal with cover
Remote LED connector	External DB9 (DE9)
CAN bus connector	External DB9
Mounting	Shelf, wall, bulkhead, threaded rod, hook
Handle	Optional

ENVIRONMENTAL

Enclosure rating	IP66, NEMA 4
Operating temperature	-25 °C to 60 °C (-13 °F to 140 °F)
Storage temperature	-40 °C to 85 °C (-40 °F to 185 °F)

SAFETY/REGULATORY (PENDING)

UL recognized/listed; cUL/CSA certified; CE certified; EN safety, emissions, immunity; ACMA RCM (C-Tick), FCC Part 15, Class A; ICES-003; CEC Appliance Efficiency Regulations, Title 20; DOE Code of Federal Regulations, 10 CFR Part 430

