

EVC 72V/40A Electric Vehicle Battery Charger

Charger Features

- Electric vehicle charger
 - NEV and LSV
 - Industrial and utility
- Opportunity charging
- 72V/40A DC output
- 208/240 VAC single-phase input
 - Field selectable
- Proven Lester Electrical reliability
- Convection cooled with no moving parts
- Advanced microprocessor control
 - Precise charging and termination algorithms
- Wet and Sealed battery profiles
 - Field selectable
- Auto/Off button
- Ammeter
- Charger protection
 - Voltage mismatch, reverse polarity, and short circuit
- UL listed
- Made in the USA

Electric Vehicle Charger

The EVC 72V/40A industrial battery charger is designed for electric vehicle applications. The 40A DC output quickly charges 72V Neighborhood Electric Vehicles (NEVs), Low-Speed Vehicles (LSVs), Industrial Vehicles, and Utility Vehicles. The charger features a readily-available 208/240 VAC single-phase input that is field selectable.

Cost-Effective Opportunity Charging

Electric vehicle opportunity charging is affordable with the EVC 72V/40A charger. For opportunity charging applications, an “I-E” (constant current - constant voltage) battery profile provides high-rate constant current in the first stage. The charger then transitions to the constant-voltage second stage and reduces the output current before the battery reaches the gassing voltage.

Reliable and Durable

The EVC 72V/40A battery charger continues the tradition of proven Lester Electrical reliability. The case is heavy gauge and powder coated. The efficient convection-cooled design offers optimal heat dissipation without the need for a cooling fan, which further enhances reliability. The EVC 72V/40A charger is made in the USA and tested to UL standards.



Optimum Battery Capacity and Life

An advanced microprocessor controller is featured in the EVC 72V/40A battery charger. Precise Lester Electrical charging and termination algorithms prevent both undercharging and overcharging, optimizing both daily battery capacity and overall battery life.

Wet or Sealed Batteries

The EVC 72V/40A charger includes both an “I-E-I” (constant current - constant voltage - constant current) battery profile for use with Wet batteries and a “I-E” (constant current - constant voltage) battery profile for use with Sealed batteries and for opportunity charging applications. An internal switch can be used to select between the two battery profiles in the field.

Auto/Off Button

The Auto/Off button available on the EVC 72V/40A battery chargers can be used to manually stop a charge cycle before automatic termination occurs to safely disconnect the battery.

Customizations and Private Branding

Lester Electrical offers customized chargers tailored for specific applications and customers. Charge profiles (software), DC and AC connectors and cables, private labeling, and documentation are just a few of our capabilities.

EVC 72V/40A Electric Vehicle Battery Charger

SPECIFICATIONS

AC Input Ratings

Voltage (nom) / current	208V/26A, 240V/23A
Voltage (range)	192-224V, 225-256V
Frequency (nom)	50-60 Hz
Phase	Single-phase
Protection	AC fuse

DC Output Ratings

Voltage (nom)	72V
Start current (nom)	40A
Battery types	Wet and Sealed lead-acid (field selectable with internal switch)
Protection	Electronic protection and DC fuse

Controls and Indicators

Start/stop control	Auto/Off button
DC output current indicator	Ammeter

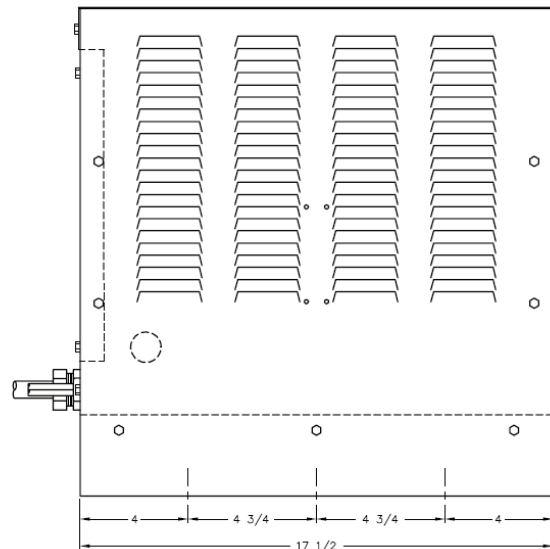
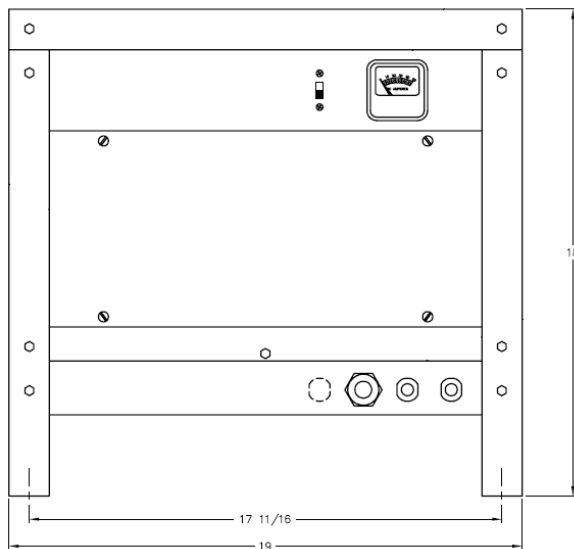
Mechanical

Dimensions (WxHxD)	19 x 18 x 17.5 in (483 x 458 x 445 mm)
Shipping weight (approx)	170 lbs (77.1 kg)
Case material	Powder-coated steel
AC cable length (min)	9 ft (2.7m)
AC connector	NEMA 6-30P (3-pin grounded)
DC cable length (min)	8.5 ft (2.5m)
DC connector	Variety available

Consult a Lester Electrical sales representative for AC and DC cable and connector options

Safety

UL listed



Represented By:



625 West A Street
Lincoln, NE 68522-1794
P: 877 DC AMPS 9
F: 402.474.1769
Sales@LesterElectrical.com
www.LesterElectrical.com

Specifications are subject to change without notice.
Document ID: LE8004.2
Copyright © 2009 Lester Electrical of Nebraska, Inc. All rights reserved.